

850nm High Power Isolator



Features

- Low Insertion Loss
- High Isolation
- High Power Handling
- High Return Loss

Applications

- Fiber Laser
- Instrumentation
- Fiber Amplifier
- Lab Research

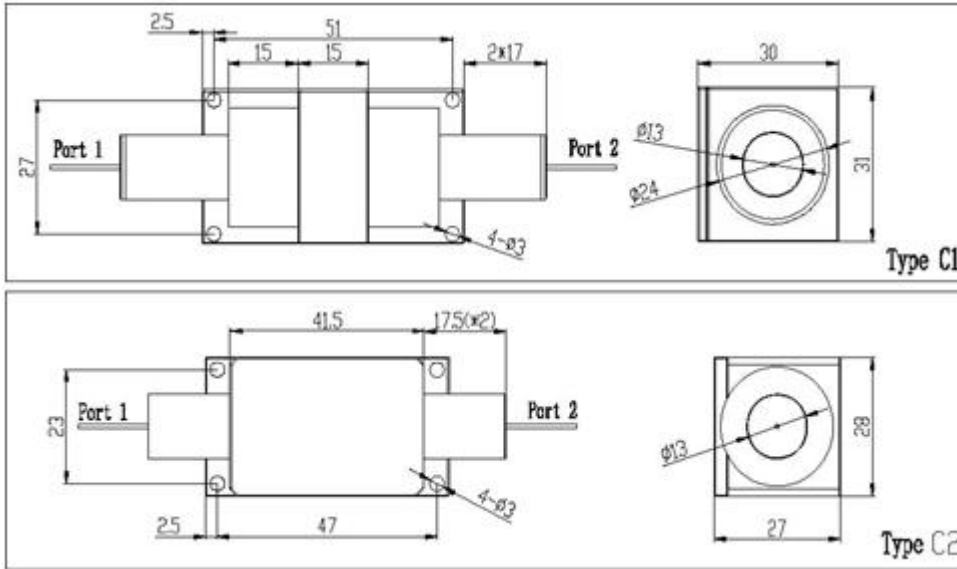
Performance Specifications

Parameters	Unit	Values
Center Wavelength (λ_c)	nm	850
Operating Wavelength Range	nm	± 10
Max. PDL at 23°C	dB	0.1
Typ. Peak Isolation	dB	30-35
Min. Isolation at 23°C	dB	25
Typ. Insertion Loss at 23°C	dB	0.8
Max. Insertion Loss at 23°C	dB	1.2
Min. Return Loss (input/output)	dB	50/50
Max. Optical Power (CW)	mW	300 500 or specify
Max. Tensile Load	N	5
Fiber Type		HI 780 Fiber
Operating Temperature	°C	'0 to +60
Storage Temperature	°C	-20 to+75

*Above specifications are for device without co

*For devices with connectors, IL will be 0.3dB higher, RL will be 5dB lower.

Size



Ordering Information

HP11-①①-②-③③-④④-⑤		
①①: Wavelength	③③: Connector Type on Port 1 & 2	④④: Fiber Jacket on Port 1 & 2
85 - 850nm	1 - FC/UPC	B - 250um Bare Fiber
SS - Specify	2 - FC/APC	L - 900um Loose Tube
	3 - SC/UPC	C - 3mm Loose Cable
②: Package Type	4 - SC/APC	S - Specify
C1 - Type C1	N - None	
C2 - Type C2	S - Specify	⑤: Fiber Length
		1 - 1.0m
		S - Specify